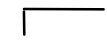
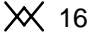
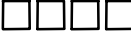


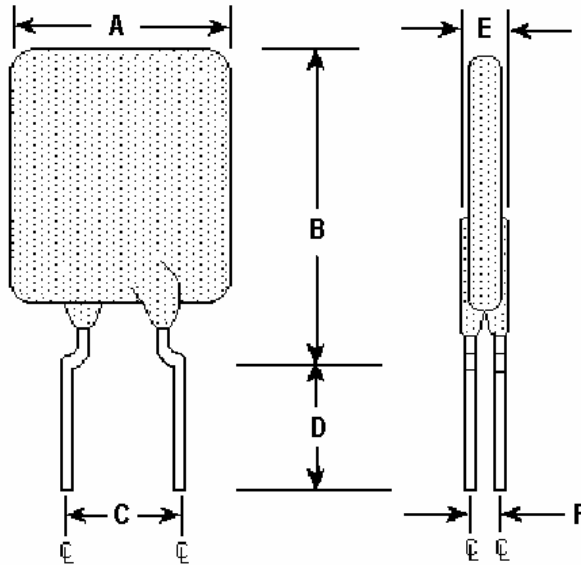
**Specification Status: RELEASED**

**Electrical Rating**  
**Voltage: 16V MAX**  
**Current: 100A MAX**

Insulating Material:  
 Cured, Flame Retardant Epoxy Polymer  
 meets UL94 V-0 Requirements

Lead Material:  
 20 AWG Tin Plated Copper  
 (0.8 mm [0.032] nom. diameter)

Marking:  
 Raychem Logo and Voltage  
 XX 16  
 HF7.5 — Part Identification  
 — Lot Identification (can be on back)



**TABLE I. DIMENSIONS:**

	A		B		C		D		E		F
	MIN	MAX	MIN	MAX	MIN	MAX	MIN	MAX	MIN	MAX	TYP
mm:	--	14.0	--	23.5	4.3	5.8	7.6	--	--	3.0	1.2
in*:	--	(0.55)	--	(0.93)	(0.17)	(0.23)	(0.30)	--	--	(0.12)	(0.05)

\*Rounded off approximation

**TABLE II. PERFORMANCE RATINGS:**

I HOLD RATED CURRENT	CURRENT RATINGS		TIME TO TRIP	INITIAL RESISTANCE VALUES		ONE-HOUR POST-TRIP RESISTANCE STANDARD TRIP	NOMINAL TRIPPED POWER DISSIPATION
	AMPS AT 25°C HOLD	AMPS AT 25°C HOLD   TRIP	SECONDS AT 25°C, 37.5A MAX	OHMS AT 25°C MIN	OHMS AT 25°C MAX	OHMS AT 25°C MAX	WATTS AT 25°C 16V TYP
7.5	7.5	13.1	7.0	0.0094	0.0153	0.022	4.5

Agency Recognitions:  
 Reference Documents:  
 Precedence:  
 Effectivity:  
 CAUTION:

UL, CSA, TUV  
 PS300  
 This specification takes precedence over documents referenced herein.  
 Reference documents shall be the issue in effect on the date of invitation for bid.  
 Operation beyond the rated voltage or current may result in rupture, electrical arcing or flame.

**Materials Information**

**ROHS Compliant**

**ELV Compliant**

**Pb-Free**

